

MERIDIAN SERIES

Direct Vent Gas Fireplaces



INSTANT WARMTH AND COMFORT LEAVE TIME FOR THE IMPORTANT THINGS IN YOUR LIFE.



Meridian shown with mesh front in Black

Meridian Series Direct Vent Gas Fireplaces

Meridian series gas fireplaces come alive as flames swirl around split logs. A crisp and clean interior makes these fireplaces inviting, whether they're burning or not. Easily customize your Meridian series and for more ambiance and bigger flames, upgrade to the Meridian Platinum.

Meridian Quick Look

- Realistic split logs and flames
- Full-depth firebox perfect for medium and larger rooms
- Customize the interior with authentic brick panels
- Upgrade your views and flames with the Meridian Platinum
- Available in 36" or 42" models
- Up to 40,000 BTUs

ACCESSORIES FOR YOUR MERIDIAN FIREPLACE

Controls – Take complete control of your comfort.



EasySwitch

Controls the most basic functions of the fireplace in the easiest way possible. Features on/off.



IntelliFire™ Plus RC100 Wireless Control

Features a simple, single mode function and is specifically designed for wall placement, ensuring a great fire is just a flip of the switch away. Features battery strength indicator, automatic battery backup, on/off.



IntelliFire™ Plus RC200 Wireless Control

Designed to wirelessly control your fireplace, the RC200 can be docked on a wall to mimic a thermostat or used as a remote. Features pilot activation, battery strength indicator, automatic battery backup, 5-step flame height, child lock, fan speed, on/off.



IntelliFire™ Plus RC300 Wireless Control

Designed to wirelessly control your fireplace, a large LCD screen and simple navigation provide easy operation. The RC300 can be docked on the wall to mimic a thermostat or used as a remote. Features pilot activation, automatic battery backup, 5-step flame height, child lock, fan speed, two additional auxiliary functions, wall docking station, timer mode, thermostat mode, room temperature readout, on/off.

Fronts – Front options and colors offer a tailored appearance to any hearth.

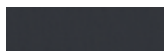


Contemporary Rectangular Front



Decorative Mesh Front
(Black finish only)

Contemporary Front Finishes



Black



Bronze



Pewter

Interior Panel Options – Customize the interior of your fireplace with this alternative style of decorative lining.*



Cottage Red



Tavern Brown
Traditional



Tavern Brown
Herringbone

*Required for Platinum version

Additional Options Not Pictured

Fan kit extends the heating range of your fireplace.

A selections of mantels, surrounds, and shelves available at MajesticProducts.com.

Heat Management – Technologies to help you manage the heat throughout your house.

Power Venting Technology

Fireplaces aren't just for exterior walls. A fan-powered accessory with slim venting can zigzag throughout your home—up, down, over or under – making it possible to install a gas fireplace virtually anywhere. This ensures safe fireplace operation and the best flames. Check with your local hearth professional to determine if your home or fireplace could benefit from power venting technology.

Heat Duct Technology

Brings the warmth from your fireplace to the rest of your home, by redistributing heat from the fireplace via the furnace ductwork. When a heat duct is run continuously, it can redirect up to 25% of the heat to another area, thus reducing wall temperatures above the fireplace. Two heat ducts run continuously will redirect up to 50% of the total heat output.

Heat Zone Technology

Draw heat from your fireplace to another room in your home, up to 20 feet away. When a heat zone kit is run continuously, it can redirect up to 25% of the heat to another area, also reducing wall temperatures above the fireplace. Two heat zones run continuously will redirect up to 50% of the total heat output.

IntelliFire™ Plus Ignition System

An advanced intermittent pilot ignition system with memory settings. IPI Plus constantly monitors ignition, ensures safe functioning and conserves up to \$10/month in energy costs.

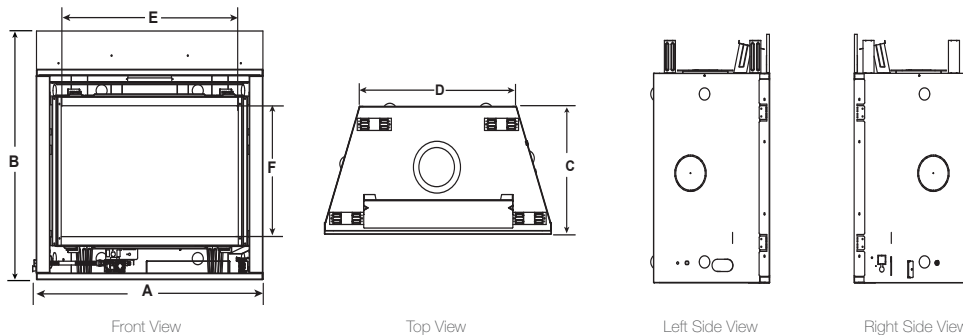
Direct Vent Technology

Direct Vent fireplaces remove 100% of combustion exhaust and odors from your space. These sealed fireplaces provide optimal heat, conserve energy and ensure clean indoor air quality.

TECHNICAL SPECIFICATIONS

MODEL	FRONT WIDTH (A)		HEIGHT (B)		DEPTH (C)		REAR WIDTH (D)		GLASS SIZE (E X F)	BTU/HR INPUT
	ACTUAL	FRAMING	ACTUAL	FRAMING	ACTUAL	FRAMING	ACTUAL	FRAMING		
DBDV36	41" (1041mm)	42" (1067mm)	40-7/8" (1038mm)	40-1/8" (1019mm)	21" (533mm)	22" (559mm)	28-1/2" (724mm)	42" (1067mm)	32" x 21-9/16" (813mm x 548mm)	30,000 (NG) / 29,000 (LP)
DBDV42	48" (1219mm)	49" (1245mm)	42-7/8" (1089mm)	42-1/8" (1070mm)	21" (533mm)	22" (559mm)	35-1/2" (902mm)	49" (1245mm)	39" x 23-5/8" (991mm x 600mm)	35,000 (NG) / 34,000 (LP)
DBDV36PLAT	41" (1041mm)	42" (1067mm)	40-7/8" (1038mm)	40-1/8" (1019mm)	21" (533mm)	22" (559mm)	28-1/2" (724mm)	42" (1067mm)	32" x 21-9/16" (813mm x 548mm)	35,000 (NG) / 33,000 (LP)
DBDV42PLAT	48" (1219mm)	49" (1245mm)	42-7/8" (1089mm)	42-1/8" (1070mm)	21" (533mm)	22" (559mm)	35-1/2" (902mm)	49" (1245mm)	39" x 23-5/8" (991mm x 600mm)	40,000 (NG) / 37,000 (LP)

Note: Refer to installation manual for zero clearance install guidelines.



Note: Order a conversion kit when using LP.

U.S. Efficiencies

Steady State

Since most homeowners use their fireplaces for an extended time while they are in the room, Steady State measures how efficiently your fireplace converts fuel to heat once it is warmed up and running in a "steady state".

AFUE

AFUE rating is more typically used with appliances, like your furnace, that continually cycle on and off to maintain a constant temperature.

RATING	DBDV36	DBDV42	DBDV36PLAT	DBDV42PLAT
Steady State	61.6%	61.3%	68.8%	70.2%
AFUE	59.7% (NG) 59.3% (LP)	59.3% (NG) 60.1% (LP)	58.3% (NG) 58.8% (LP)	59.1% (NG) 65.1% (LP)

Canada Efficiencies

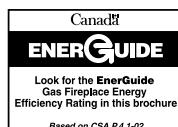
EnerGuide (CSA P.4.1-02)

EnerGuide is the official Government of Canada mark associated with the labeling and rating of the energy consumption or energy efficiency of specific products.

RATING	DBDV36	DBDV42	DBDV36PLAT	DBDV42PLAT
EnerGuide (CSA P.4.1-02)	61.6% (NG) 59.3% (LP)	60.2% (NG) 60.7% (LP)	61.1% (NG) 56.9% (LP)	60.0% (NG) 65.5% (LP)



For more information about Majestic efficient and environmentally friendly products, please visit www.majesticproducts.com



Limited Lifetime Warranty¹

The strongest in the industry, Majestic provides a limited lifetime warranty on gas-burning products of the most important aspects: firebox and heat exchanger.

Your Majestic Dealer:

¹: For full warranty details go to majesticproducts.com. The information provided in this literature is for planning purposes only and subject to change. Please consult the installation manual for actual installation. Actual product appearance may differ from product images. Fireplace, stove and insert surfaces get extremely HOT and can cause severe burns if touched. Keep a safe distance away. To learn more visit www.majesticproducts.com. © 2016 Hearth & Home® Technologies