

# 21 E ELECTRIC FIREPLACE





# 21 E ELECTRIC FIREPLACE

The most extraordinary feature of this portrait-style fireplace is the wood-like flame and glowing embers of the fire through 394 square inches of glass. With LED lights built into the log set and a pulsating ember bed, these flames simulate the look of a live wood fire. The Lopi 21 Electric fireplace can be built-in to any room you choose in about an hour. The 21 E fireplace is also ideal if you live in an apartment or condominium where no gas line or chimney access is available. To operate the 21 E, simply plug it into a standard wall outlet. The 21 E is also economical to operate. Cost to operate averages approximately 3 cents an hour with the flame on for ambiance and 8 cents an hour when both flame and heater are on\*.

*\* Based on average National residential electricity 11/07. Rates vary, heating cycle at 50% of time.*



## PERSONALIZE YOUR FIREPLACE

You can personalize the finished look of your fireplace with one of three custom designer faces in black paint and brushed nickel finishes and three interior looks. The quality and detail of these accessories and the realism of the flames makes Lopi the most requested brand on the market.

## SAFE TO LIVE WITH

Unlike a standard fireplace, the glass on the 21 E does not get so hot it is "untouchable", reducing hazards for children and increasing safety all around.

## BUILT IN SOUND-SYSTEM

The 21 E is the only electric fireplace to feature a built-in audio system. The audio system features two 4" high-fidelity speakers, 25 watt amplifier and an iPod/MP3/wireless streaming audio docking station with a built-in USB charging station. A docking cord and Apple™ compatible USB charging cord come with the fireplace at no additional cost.



## THERMOSTATICALLY CONTROLLED HEATING

A built-in 5,000 Btu heater with an air circulating fan provides gentle heat and is designed to heat up to 400 sq. This feature makes the 21 E ideal for providing supplemental heat to bedrooms, offices and other intimate spaces.

## EASY TO USE

You have the option of running the 21 E manually with flame and heat on or with just the flame. The 21 E comes standard with a remote control. All the great features such as the flame speed, accent light, sleep timer, room temperature, music on/off and volume, and power can all be controlled by a simple to use hand-held remote.

## REMOTE CONTROL FEATURES

- |                        |                    |
|------------------------|--------------------|
| 1. Flame & Heat On/Off | 8. Audio On/Off    |
| 2. Music Volume Down   | 9. Music Volume Up |
| 3. Sleep Timer Down    | 10. Sleep Timer Up |
| 4. Flame Speed Down    | 11. Flame Speed Up |
| 5. Dimmer Down         | 12. Dimmer Up      |
| 6. Temperature Down    | 13. Temperature Up |
| 7. Room Temperature    |                    |



## FACE OPTIONS

Finish your Lopi 21 E with the basic universal rectangular face or with the beautiful Wilmington face design with comes in black paint or brushed nickel finish. Both Wilmington faces have the option of being upgraded with the brushed nickel arabesque grill set.

### UNIVERSAL FACE - 21 1/8" W x 35 1/4" H



*Black Painted*

### WILMINGTON™ BLACK PAINTED

22" W x 36 3/4" H



With standard vertical grills



With Arabesque Antique Nickel Grill Set

### WILMINGTON™ BRUSHED NICKEL

22" W x 36 3/4" H



With standard vertical grills



With Arabesque Antique Nickel Grill Set

## HOW GREEN ARE ELECTRIC FIREPLACES?



There's no secret that today's homeowners are looking for sustainable solutions, yet they still want a product that satisfies their sense of style and desire for luxury. The Lopi 21 E Electric Fireplace does both.



You can enjoy the ambiance of the flames year-round without the heat, thus reducing the amount of energy consumed. Or with the heater turned on, the Lopi 21 E Electric fireplace operates at 100% efficiency – every bit of power used goes into warming the room. The 21 E Electric Fireplace produces no carbon monoxide or emissions because there is no combustion. Our electric fireplace does not contribute any moisture to the indoor environment, therefore eliminating any problems that can cause mold and unhealthy indoor air conditions.

## YOU CAN PERSONALIZE THE WAY YOU WANT THE FLAMES TO LOOK

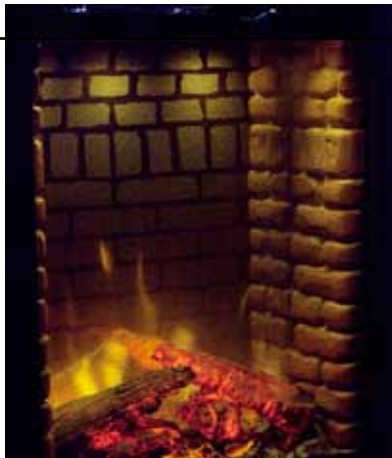
The logs, flames and ember bed are all lit with energy saving LED technology. Use the remote control to personalize the look of the flames from a slow, lazy flame to a brisk raging fire.

## TOP MOUNTED ACCENT LIGHT

Control the interior accent light with the dimmer buttons on the remote control. The interior accent light, when turned on will highlight the log set and when used with the optional brick or travertine liner will help display a beautiful brick pattern along the sides and back of the firebox, giving it a more 3-dimensional look. You have the option of turning the accent light off for a dark firebox, or having the brick or travertine pattern illuminated and adjusting it from a low, soft muted light to a high, bright setting.

## CHOICE OF TWO INTERIOR LINERS

The interior of the Lopi 21E comes in a black paint finish and can be upgraded with one of two optional interiors. Available in Used Brick or Travertine Stone, these interiors will give you the illusion of a real fireplace with a true three-dimension look. Use the adjustable, downward pointing accent light in conjunction with the liners to control the intensity of the effect to perfect your desired look.



USED BRICK



TRAVERTINE BRICK



# 21 E ELECTRIC FIREPLACE CLEARANCES

## FINISHING YOUR INSTALLATION

You have two ways to finish the installation of your Lopi 21 E Electric fireplace within your home. You can use one of the pre-built cabinet systems available through your Lopi dealer or you can build it into an existing wall or chase and sheetrock up to the face and simply paint or add facing like a traditional fireplace with stone or tile.

## PRE-BUILT FIREPLACE CABINETS

If you are looking for exceptional value, add a pre-built fireplace mantel system and you can have your new 21 E Electric fireplace installed in less than one hour! A 15 AMP, 110 VOLT wall outlet is required. These fireplace mantels allow the fireplace to be installed against any wall in your home. Pre-built fireplace mantels also make it easy to relocate your fireplace at any time.

Mantels are available from:  
**J. C. Huffman Cabinet Co.**

[www.jchuffman.com](http://www.jchuffman.com)

and

**Grand Mantels**

[www.grandmantel.com](http://www.grandmantel.com)



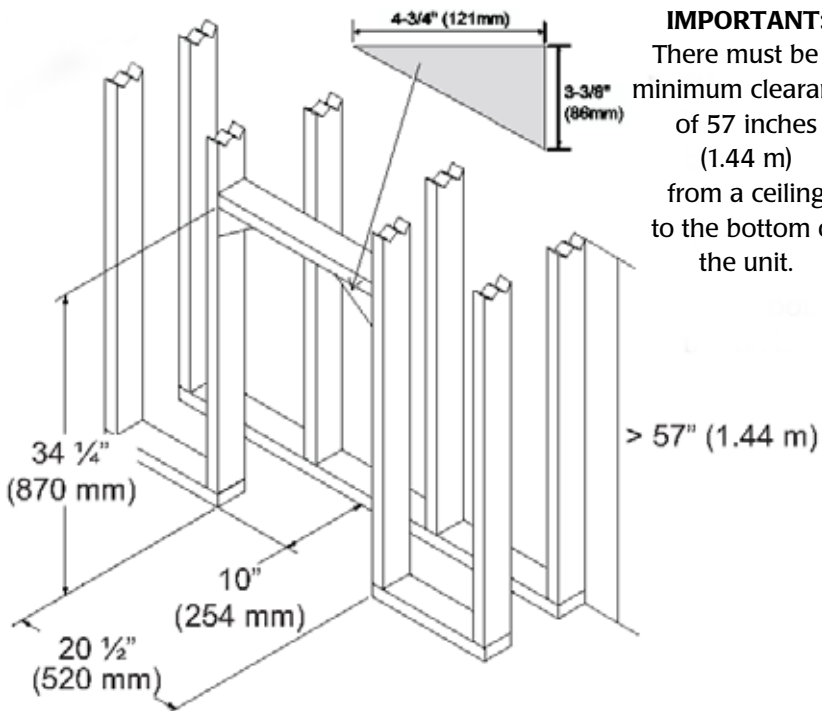
*Shown with MiniWindsor Cabinet by J. C. Huffman.*

## BUILT-IN INSTALLATION

If you want a flush-to-the-wall look for your fireplace, you have the option of building in or framing around your Lopi 21 E Electric fireplace.

When framing the 21 E enclosure you must use the following **MINIMUM** internal opening dimensions shown to the right.

The fireplace can be hard-wired to a 15 AMP 110 volt circuit. Consult your local electrical codes.



**IMPORTANT:**  
There must be a minimum clearance of 57 inches (1.44 m) from a ceiling to the bottom of the unit.

Your Authorized  
Lopi Dealer  
Is Located At:

Photos and illustrations are for descriptive purposes only. We reserve the right to improve or change our products without prior notification. Trademarks belong to Travis Industries, inc. Consult the Owner's Manual for complete installation requirements.